

StarterDish™ 21 UM

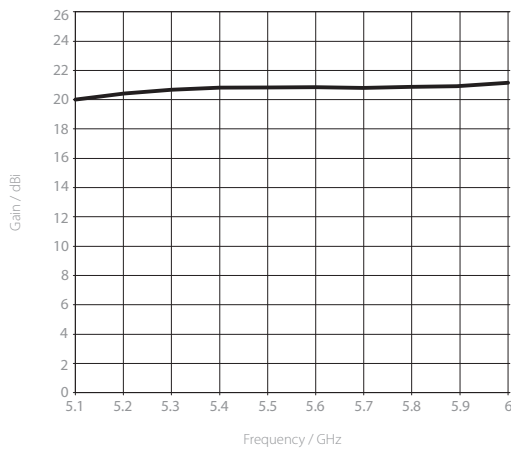
DIRECTIONAL PARABOLIC DISH ANTENNA

StarterDish™ antennas are designed for CPE applications. Antenna is light weight with their reflector made of aluminium. StarterDish™ antennas provide excellent beam performance in cost effective package. Antennas are easy to assemble and come in highly economical 5 packs.

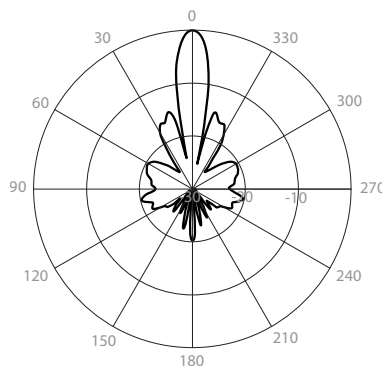


Warning: harsh environment (coastal areas, chimney gases, chemical factories, volcanos) may cause premature oxidation of the StarterDish™ antenna body. For deployments in harsh environment we recommend using UltraDish™ antennas.

Gain H

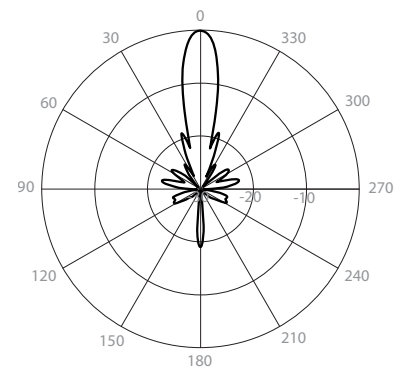


Azimuth Pattern H



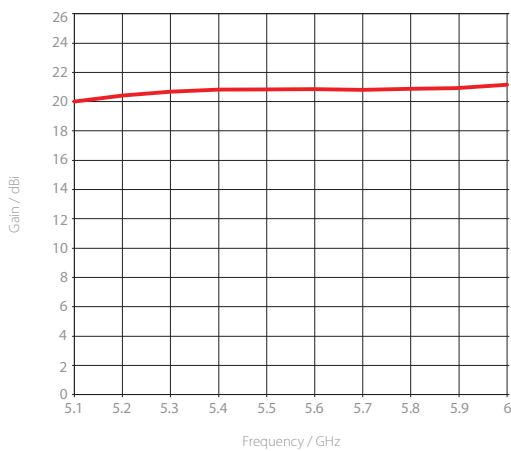
H - Port Pattern Azimuth 5.6 GHz

Elevation Pattern H

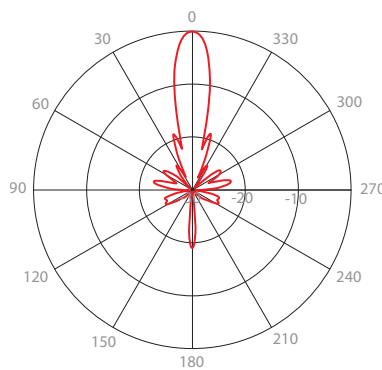


H - Port Pattern Elevation 5.6 GHz

Gain V

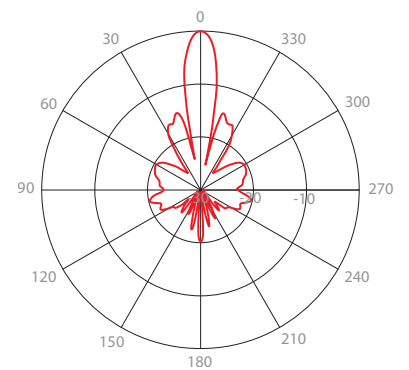


Azimuth Pattern V



V - Port Pattern Azimuth 5.6 GHz

Elevation Pattern V



V - Port Pattern Elevation 5.6 GHz

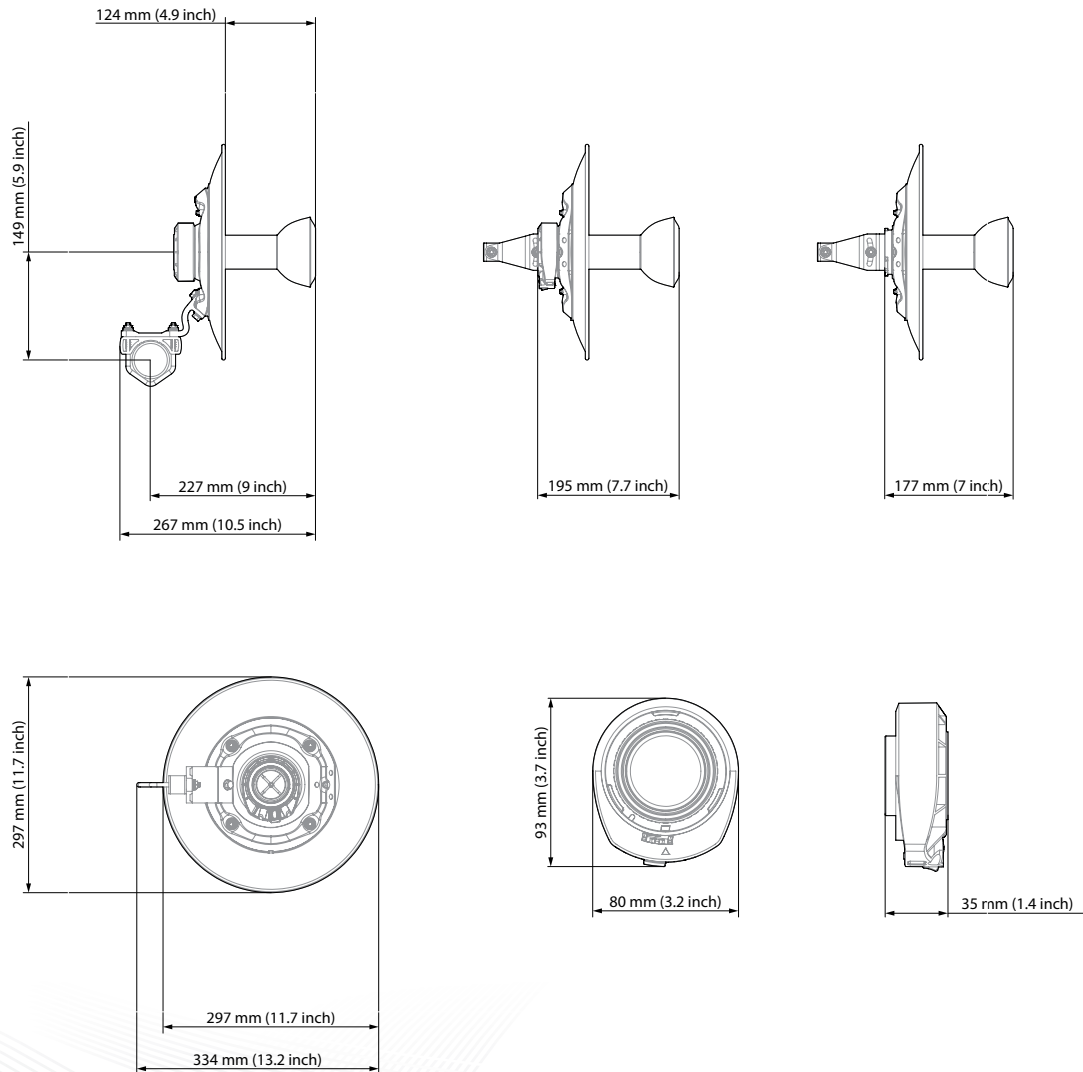
PHYSICAL

Antenna Connection	Waveguide Port
Antenna Type	Parabolic Dish
Materials	UV Resistant ABS Plastic, Aluminium, Steel, Zinc Plated Steel & Stainless Steel Hardware
Environmental	IP65
Pole Mounting Diameter	20-55 mm (0.8-2.1 inch) Recommended as close to 55 mm (2.1 inch) as possible
Temperature	-35°C to +55°C (-31°F to +131°F)
Wind Survival	160 km/h (100 mi/h)
Wind Load	69/13 N - Front/Side at 160 km/h (100 mi/h)
Effective Projected Area	563/104 cm ² - Front/Side (87.3/16 in ²)
Mechanical Adjustment	± 15° Elevation
Weight	1.2 kg (2.6 lbs) – single unit* 9 kg (19.8 lbs) – 5PACK (5 units) incl. package*
Dimensions	Retail Box 5PACK: 695 x 447 x 110 mm (27.3 x 17.5 x 4.3 inch)

COMPATIBLE WIRELESS PLATFORMS

RF elements®	StarterAdapter™ SMA
Mimosa® by Airspan	C5x
Ubiquiti Networks®	PrismStation™ 5AC, IsoStation™ 5AC, IsoStation™ M5

PRODUCT DIMENSIONS



*Main beam defined up to first null

2/2 StarterDish™ 21-UM Rev 12-2021

RF elements® and StarterDish™ are trademarks of RF elements s.r.o., Slovakia. All rights of respective trademark owners reserved.

© RF elements 2021